

## Kolga Model A350 Split Top 10 cm High Performance Low Back- ground Lead Shield for HPGE Detectors

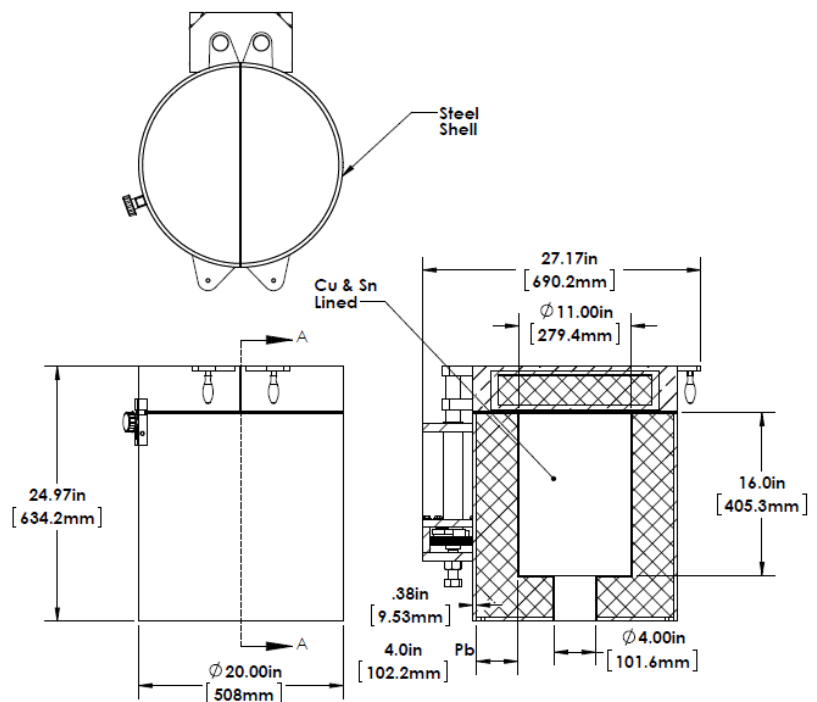
### Description

The Kolga Model A350 is a 10 cm (4 inch) high performance copper/tin-lined lead shield for germanium detectors (HPGE). The A350 shield is made from certified DOE Run virgin low background lead. The graded liner is designed to suppress lead x-rays and consists of a 1 mm (0.040 in.) tin layer covered by a 1.5 mm (0.06 in.) oxygen-free copper layer. The top opening is shielded to provide the easy loading of samples. The shield includes a rigid stand with adjustable feet to maintain the unit level while allowing easy access to install or remove the detector. The A350 exterior and stand are coated with durable epoxy paint. All copper components are coated with a clear polyurethane sealer to prevent corrosion. The door also has a built-in lock with padlock provisions.



### Specifications

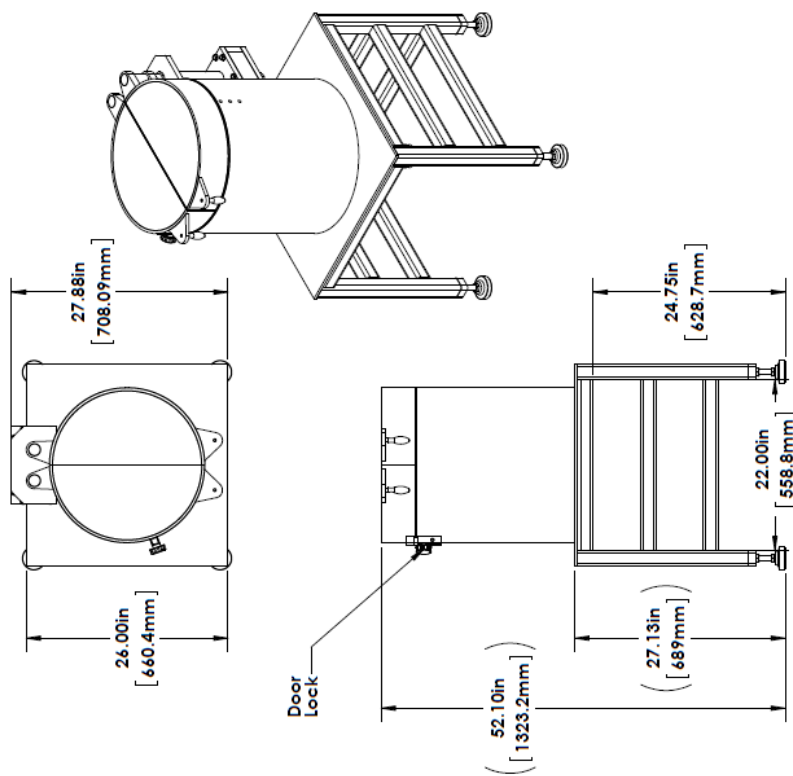
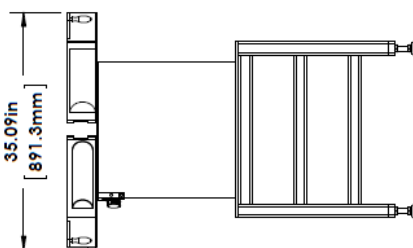
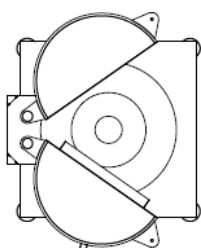
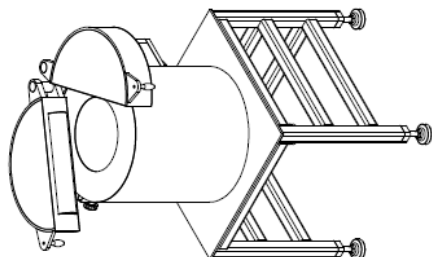
- Overall: Height 634.2 mm (24.97 in.)  
Diameter 508 mm (20.0 in.)
- Cavity: Diameter 279.4 mm (11 in.)  
Depth 405.3 mm (16 in.)
- Outer Jacket:  
9.5 mm (3/8 in.) thick low carbon steel
- Shield: 102 mm (4 in.) thick certified low background lead
- Graded Lining: 1 mm (0.04 in.) tin and 1.5 mm (0.06 in.) oxygen free copper
- Weight: 1113 Kg (2448 lbs.)
- Finish: Light Gray Epoxy Paint
- All Lead fully encapsulated in metal.



# Kolga

Quality Radiation Shielding Products

## Kolga Model A350 Top Opening High Performance Low Background Lead Shield



**Kolga, LLC**  
Quality Lead Shield Products  
65 Lancaster Drive  
Beacon Falls, CT 06403

Tel: 203-729-6800 ext.12  
Sales@kolgashield.com  
www.kolgashield.com