

## Kolga Model A320-2 Two Liter Top Opening High Performance Low Background Lead Shield

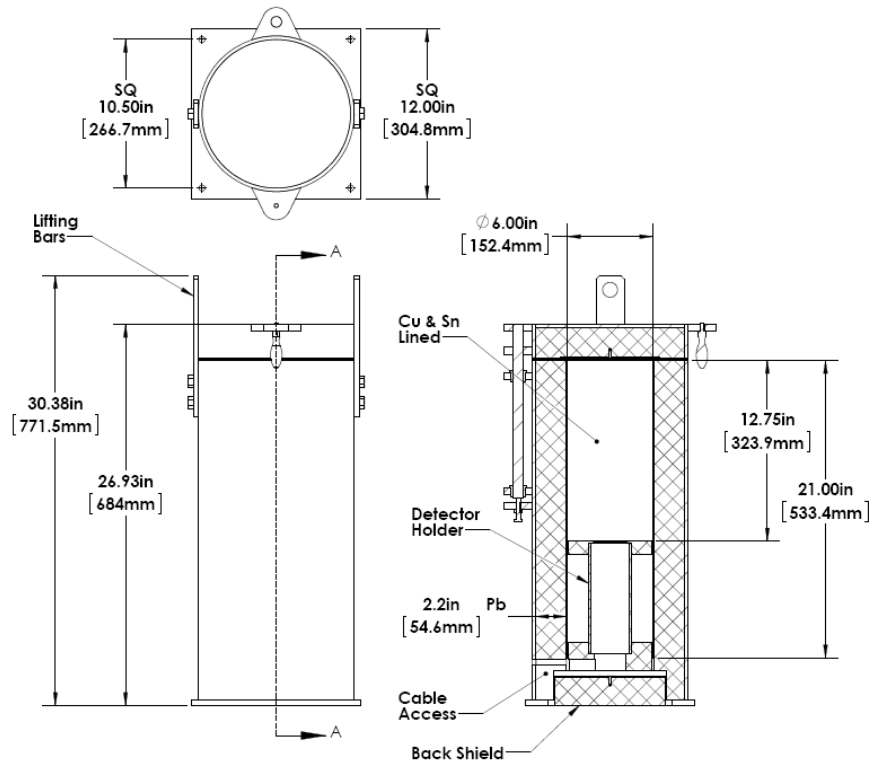
### Description

The Kolga Model A320-2 is a 5 cm (2 inch) thick high performance copper/tin lined lead shield for Sodium Iodide (NaI) detectors. The A320-2 shield is made from certified DOE Run virgin low background lead. The graded liner is designed for the suppression lead x-rays and consists of a tin layer of 1 mm (0.040 in.) covered by a oxygen free copper layer of 1.5 mm (0.06 in.). The shield includes a rigid mounting plate to secure the unit to the floor or table for safe operation. The shield can accept either a 2x2 or a 3x3 NaI detector which is inserted from the top opening into the detector holder for secure mounting. The A320-2 exterior and stand is coated with durable epoxy paint while all copper components are coated with a clear polyurethane sealer to prevent corrosion.



### Specifications

- Overall: Height 684 mm (26.9 in.)  
Width 305 mm (12 in.)
- Cavity: Diameter 152.4 mm (6 in.)  
Depth 533.4 mm (21 in.)
- Sample Depth 324 mm (12.75 in.)
- Outer Jacket - 6.35 mm (1/4 in.) thick low carbon steel.
- Shield - 50.8 mm (2 in.) thick certified low background lead.
- Graded Lining - 1 mm (0.040 in.) tin and 1.5 mm (0.06 in.) oxygen free copper.
- Weight 334.4 kg (735.7 lbs.)
- Finish Light Gray Epoxy Paint



## Kolga, LLC

Quality Lead Shield Products  
65 Lancaster Drive  
Beacon Falls, CT 06403

Tel: 203-729-6800 ext.12  
sales@kolgashield.com  
www.kolgashield.com  
9/08/2013 v05